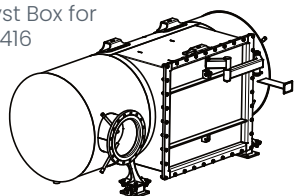


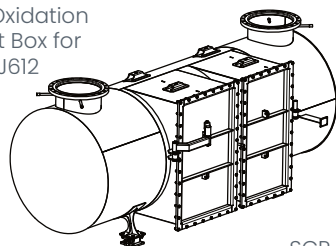
Selective catalytic reduction (SCR) & OXIDATION catalyst systems

System	Type	Engine	Inlet	Outlet	approx. L x W x H [mm]	Weight [kg]
SCR- & Oxidation catalyst with silencer Combines the function of a SCR- & Oxidation system with a primary silencer	incl. absorber for LP < 65dB(A) in 10m	J312, J316, J412	radial	radial	4,590 x 1,350 x 1,400	1,160
		J320, J416	radial	radial	5,300 x 1,350 x 1,400	1,250
		J420, J612	radial	radial	5,700 x 1,700 x 1,850	2,100
			axial	axial	6,150 x 1,700 x 1,700	2,100
	without absorber	J616, J620, J624	radial	radial / axial	7,400 x 2,300 x 2,400	4,020
		J312, J316, J412	radial	radial	3,900 x 1,350 x 1,400	890
SCR- & Oxidation catalyst Box	only SCR- & Oxidation function	J312, J316, J320, J412, J416	radial / axial	radial / axial	2,800 x 1,350 x 1,400	710
		J420, J612	radial / axial	radial / axial	3,800 x 1,700 x 1,850	1,440
SCR- & Oxidation catalyst Container Compact "complete packaged system" incl. pre-installed urea tank and dosing system	10"-Container	J312 - J420	only with SCR & Oxidation catalyst Box			
Approved 3rd party system fulfilling INNIO's Jenbacher standards	J208 - J920	customer specific				

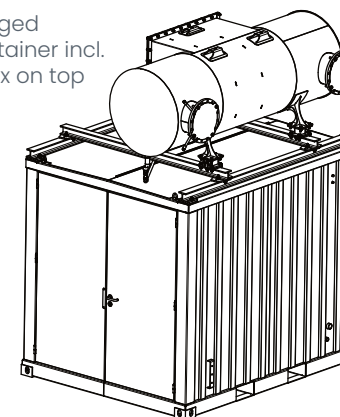
SCR & Oxidation catalyst Box for J312-J416



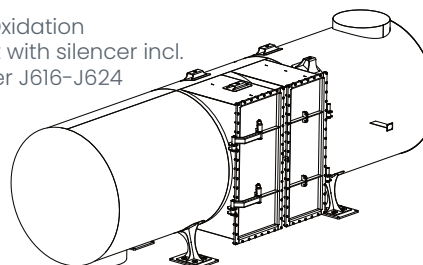
SCR & Oxidation catalyst Box for J420 & J612



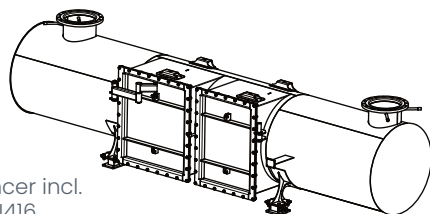
Compact "complete packaged system": Jenbacher 10" Container incl. SCR & Oxidation catalyst Box on top



SCR & Oxidation catalyst with silencer incl. absorber J616-J624



SCR & Oxidation catalyst with silencer incl. absorber J320 & J416



© Copyright 2023 INNIO. Information provided is subject to change without notice.

INNIO, INNIO, Jenbacher are trademarks in the European Union or elsewhere owned by INNIO Jenbacher GmbH & Co OG or one of its affiliates. All other trademarks and company names are property of their respective owners.